

CONTROLLER IPC-I712-R16-S256

IPC - CPU Intel i7-1255U, 16GB RAM+256GB M.2 SSD



Industrial Controller - CPU intel i7-1255U, 16GB DDR4 RAM, 256GB M.2 SSD, 6 x USB, 4 x RS232, 2 x LAN, 1 x DC 12-36V input, 12-pole screw terminal block (Power supply/1xRS232/1xRS485/5xGPIO)

This industrial product has been designed for use in a variety of environments. It offers a range of interfaces, supports expansion, and can accommodate a variety of external devices. It also supports a wide voltage power supply of 12V-36V. The complete machine is highly scalable, practical, and EMC-compatible, making it suitable for use in industrial control, the military industry, communication, power, and network automation, among other fields. The CONTROLLER IPC features an all-aluminum alloy structure, a fanless and totally enclosed design, a lightweight and compact form factor, and low power consumption.

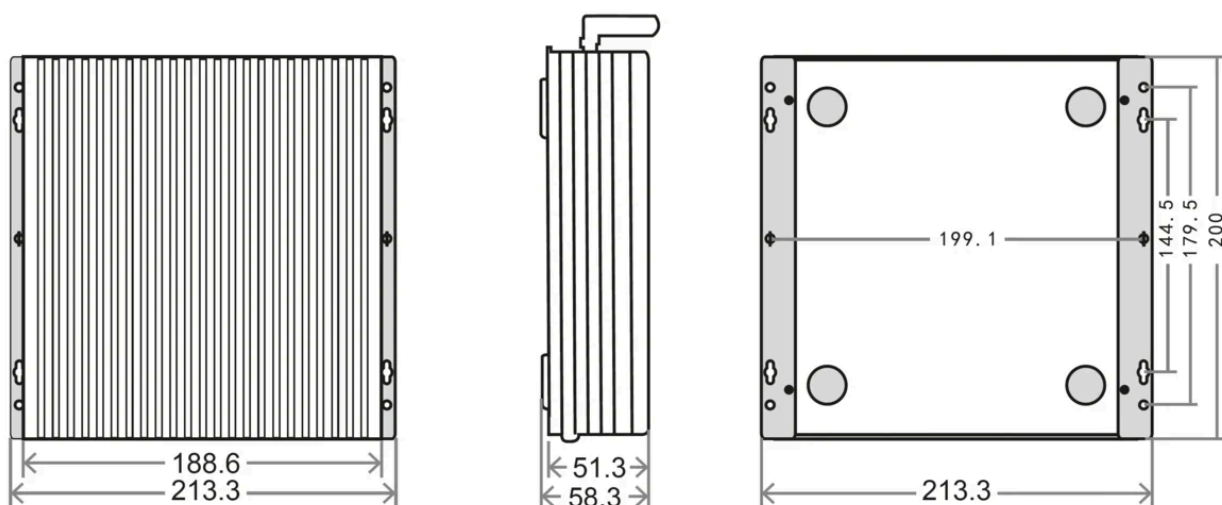
ORDER DETAILS

Function: Industrial Controller - CPU intel i7-1255U, 16GB DDR4 RAM, 256GB M.2 SSD, 6 x USB, 4 x RS232, 2 x LAN, 1 x DC 12-36V input, 12-pole screw terminal block (Power supply/1xRS232/1xRS485/5xGPIO)

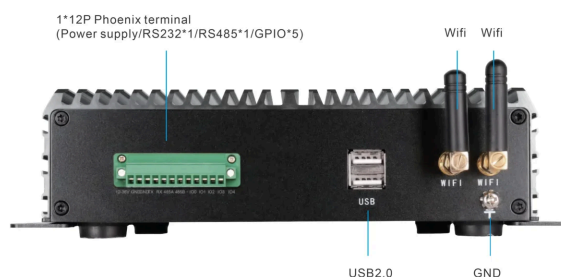
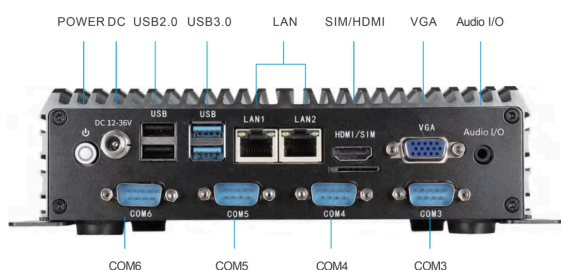
SKU/Order No.: SA-IPC-I712-R16-S256



Mechanical Dimensions



Drawings



Desktop installation



Rack-mounted

Technical Data

Ambient Condition

Ambient Temperature (operating)	-10 °C ... 60 °C
Ambient Temperature (storage/transport)	-20 °C ... 70 °C
Operating Humidity (non-condensing)	95 % non condensing
Vibration	IEC 60068-2-64, random, 5 ... 500 Hz, 1 hr/axis
Impact / Shock	IEC 60068-2-27, half sine wave, duration 11 ms

Certification

Certification	CE / FCC / CB / ROHS / CCC
---------------	----------------------------

Commercial Data

Customs Tariff Number	85371091
-----------------------	----------

Dimensions

Depth (mm)	199.5
Height (mm)	58.5
Width (mm)	213.1

Interface

LAN Ports	2 x RJ45 (10 M / 100 M / 1000 M)
Serial Ports	4 x COM (default: RS232, optional: RS485)
USB Ports	4 x USB 2.0, 2 x USB 3.0
HDMI	1 x HDMI, Supporting HDMI data output, up to 4K
VGA	1 x
Audio Interface	1 x Audio I/O, onboard Realtek ALC662 HD
Wi-Fi	Support 2.4G / 5G dual-band Wi-Fi

Mechanical Data

Weight (typ.)	1.9 kg
Cooling Method	passiv
Housing	Aluminum alloy
Mounting method	Support desktop and rack installation

System Hardware

Memory	16 GB DDR4 RAM
OS Support	Microsoft Windows, Linux, SALZ OS
Processor	Intel Core I7-1255U, 1.7 GHz
Storage	256 GB SSD m.2

Input Data

Nominal Operating Voltage	12 V ... 36 V
Power Consumption (max.)	15 W